

**EXPLODED PARTS VIEW
MARK U.S.**

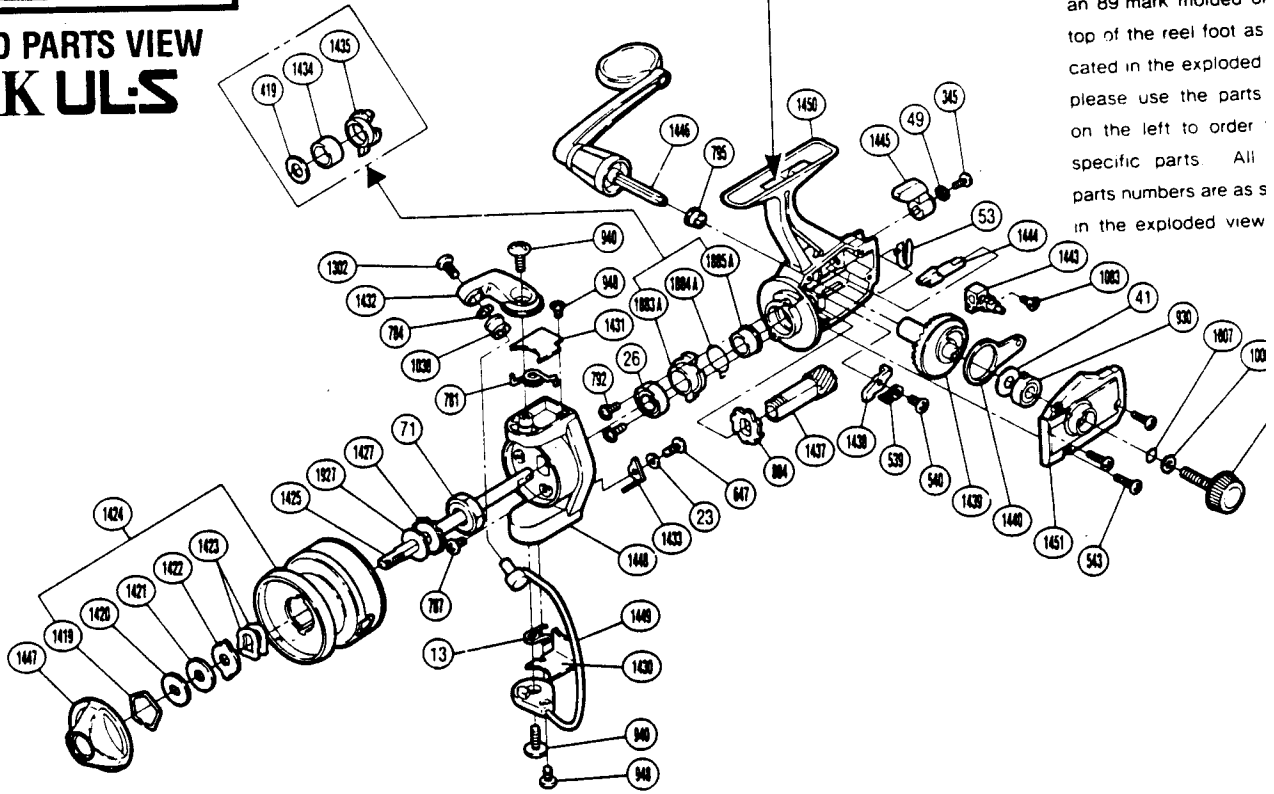
SHIMANO[®]

1989 REPAIR MANUAL

Shimano American Corporation, One Shimano Dr.
Irvine, CA 92718

※Please look here for (89) mark here
(e.g. (89) (MC) JAPAN)

※If your reel does not
an 89 mark molded or
top of the reel foot as
cated in the exploded
please use the parts
on the left to order
specific parts. All
parts numbers are as
in the exploded view



PARTS LIST

PART # DESCRIPTION

- RD 0013 (Trip) Lever Spring
- RD 0023 Trip Lever Spacer
- RD 0026 Ball Bearing
- RD 0041 Drive Gear Washer
- RD 0049 Lock Washer
- RD 0053 Anti-Reverse Cam Spring
- RD 0071 Rotor Nut
- RD 0345 Anti-Reverse Lever Screw
- RD 0419 Bushing Washer (B)
- RD 0539 Anti-Reverse Pawl Spring
- RD 0540 Anti-Reverse Pawl Screw
- RD 0543 Side Cover Screw (B)
- RD 0647 Nut Lock Screw
- RD 0781 Bail Spring
- RD 0784 Line Roller Washer
- RD 0787 Nut Lock Screw
- RD 0792 Bearing Retainer Screw
- RD 0795 Bushing B
- RD 0884 Anti-Reverse Ratchet
- RD 0930 Ball Bearing

PART # DESCRIPTION

- RD 0940 Bail Trip Cam Screw
- RD 0948 Bail Trip Cover Screw
- RD 1007 Lock Washer Retainer
- RD 1008 Handle Lock Washer
- RD 1038 Sic Ceramic Roller
- RD 1083 Slider Retainer Screw
- RD 1302 Line Roller Screw
- RD 1419 Drag Washers Retainer
- RD 1420 Key Washer
- RD 1421 Drag Washer
- RD 1422 Eared Washer
- RD 1423 Drag Spring
- RD 1424 Spool Assembly
- RD 1425 Main Shaft
- RD 1427 Spool Support
- RD 1430 Bail Trip Cover
- RD 1431 Bail Spring Cover
- RD 1432 Bail Arm
- RD 1433 Bail Trip Lever
- RD 1434 Pinion Spacer

PART # DESCRIPTION

- RD 1435 Anti-Reverse Lock Out
- RD 1437 Pinion Gear
- RD 1438 Anti-Reverse Pawl
- RD 1439 Drive Gear
- RD 1440 Oscillating Arm
- RD 1442 Handle Screw Cap
- RD 1443 Oscillating Block
- RD 1444 Anti-Reverse Cam
- RD 1445 Anti-Reverse Lever
- RD 1446 Handle Assembly
- RD 1447 Drag Knob
- RD 1448 Rotor
- RD 1449 Bail Assembly
- RD 1450 Body
- RD 1451 Side Cover
- RD 1883A Anti-Reverse Lock Out
- RD 1884A Anti-Reverse Lock Spring
- RD 1885A Pinion Spacer
- RD 1927 Spool Washer